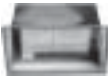






ENGINEERING SPECIFICATIONS FOR MODELS IR-30(S), 30, 60, 90 & 130 GAS FIRED INFRA-RED SPACE HEATER

SPECIFICATIONS

MODEL NO.	MBTU/H		CERAMIC OPERATING TEMP.	SQ. IN. OF RADIATING SURFACE	CLEARANCES TO COMBUSTIBLES (IN.)				NET WEIGHT
	NATURAL GAS	PROPANE GAS			Sides	Back	Top	Below	
 IR-30(S)	30	30	1780° F	85 SQ."	30	18	28	72	18#
 IR-30	30	30	1780° F	85 SQ."	30	18	28	72	18#
 IR-60	60	60	1780° F	170 SQ."	32	18	40	72*	27#
 IR-90	90	90	1780° F	255 SQ."	48	30	42	98	36#
 IR-130	130	120	1810° F	340 SQ."	48	30	52	120	45#

* Clearance is 80 in. when heater is fitted with a parabolic reflector

NORMAL MANIFOLD PRESSURE

NATURAL GAS - 6" W.C.
PROPANE GAS - 10" W.C.

MINIMUM HEATER INLET PRESSURE

NATURAL GAS - 7" W.C.
PROPANE GAS - 11" W.C.

MAXIMUM INLET PRESSURE

1/2 LB. OR 14" W.C.

INLET PIPE SIZE

1/2" NPT

MOUNTING HOLE DIAMETER

5/16"

MOUNTING ANGLE

PRE-SET MOUNTING ANGLE
(20° TO 35° FROM HORIZONTAL)
MOUNTING CHAIN SET INCLUDED

STAINLESS STEEL RODS

CERAMIC BURNER

DIRECT SPARK IGNITION

SOLID STATE IGNITION
FOUR CONTROL OPTIONS (See reverse side)

POTTED (water resistant) CIRCUIT BOARDS

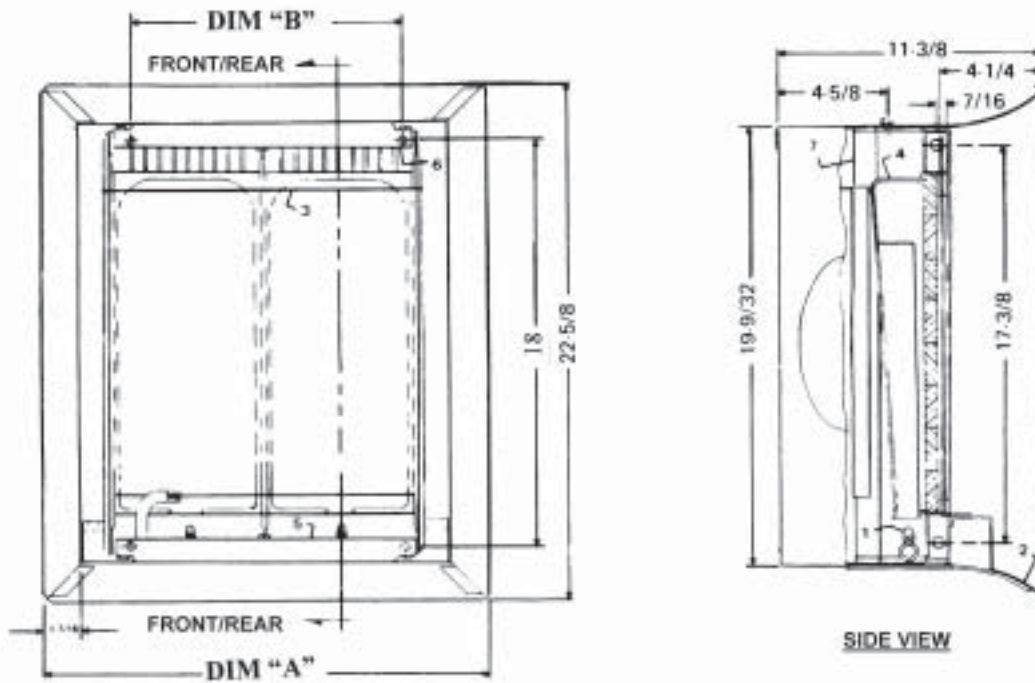
120V MODELS ONLY



ANSI. Z83.6

Detroit Radiant Products Co.
21400 Hoover Road
Warren, Michigan 48089
Phone: 586-756-0950
Fax: 586-756-2626

Form No. LSIR-1M-06/01(ID)



CONTROL		CONTROL VOLTAGE	CONTROL DESCRIPTION
NAT.	LP.		
NFS-2	PFS-2	120V or 25V	Direct Spark Ignition, 100% Shutoff.

IR SERIES GAS INFRA-RED HEATERS							
MODEL #	BTU/H INPUT	GAS TYPE (circle one)	VOLTAGE	ELECTRICAL		DIM "A"	DIM "B"
				VA Draw	Amps		
IR 30(S)	30,000	N or LP	120V.	12	0.10	12-3/8"	5"
IR 30(S)	30,000	N or LP	25V.	12	0.48	12-3/8"	5"
IR 30	30,000	N or LP	120V.	12	0.10	12-3/8"	5"
IR 30	30,000	N or LP	25V.	12	0.48	12-3/8"	5"
IR 60	60,000	N or LP	120V.	12	0.10	18-7/8"	11-1/2"
IR 60	60,000	N or LP	25V.	12	0.48	18-7/8"	11-1/2"
IR 90	90,000	N or LP	120V.	12	0.10	25-3/8"	18"
IR 90	90,000	N or LP	25V.	12	0.48	25-3/8"	18"
IR 130	130,000	NATURAL	120V.	12	0.10	31-3/8"	21"
IR 130	120,000	PROPANE	120V.	12	0.10	31-3/8"	21"
IR 130	130,000	NATURAL	25V.	12	0.48	31-3/8"	21"
IR 130	120,000	PROPANE	25V.	12	0.48	31-3/8"	21"

DESCRIPTION

- | | |
|----------------------------|-----------------------|
| 1. ORIFICE SPUD | 5. END FRAME ASSEMBLY |
| 2. REFLECTOR ASSEMBLY | 6. END FRAME |
| 3. STACK AND HEAT SHIELD | 7. SIDE FRAME |
| 4. PLENUM CHAMBER ASSEMBLY | |